



Models: KD3000VR

KD5500VR, KD5500VRS

KD7000VR, KD7000VRS

Gasoline Powered Generators

Owner's Manual

Introduction	1
Features & Specifications	1
Safety Precaution	2
Before Starting Engine	3
Operation	4
Stopping Operation	7
Maintenance & Storage	7
Wattage information	8
Troubleshooting	9
Wiring Diagram	10

Customer Service Hotline:

East 1 - 888 - 881 - 6667

West 1 - 800 - 527 - 8592

Visit our website

www.dynablast.ca

IMPORTANT: Do not operate this equipment until you have read and understand all of the enclosed Owner's Manuals. Carefully read all **Warnings, Safety Precautions, Assembly and Operating Instructions, Maintenance and Storage information.**

Warranty

This product is warranted to be free of defects in materials and workmanship under normal use and service, for a period of three years from the date of purchase, when operated and maintained in accordance with the Operating and Maintenance Instructions supplied with this unit. This warranty does not cover misuse or negligence.

This warranty is extended only to the original purchaser. Warranty is void if repairs are attempted by anyone other than an Authorized Service Centre.

If a difficulty develops with the product, you should contact your nearest Authorized Repair Centre, or JOHN BROOKS COMPANY Ltd. Only these locations are authorized to make repairs to the product or affect replacement of defective parts, which will be done at no charge within a reasonable time after receipt of the product. Units or parts should be returned at the customer's expense to the nearest JOHN BROOKS location or Authorized Service Centre. Pack unit in a strong carton and pad tightly to avoid damage. Damage in-transit is not covered by warranty. Include original purchase receipt with any claim (keeping a copy for your files).

JOHN BROOKS COMPANY LIMITED's liability under warranty is limited to repair of the product and/or replacement of parts and is given to the purchaser in lieu of all other remedies including incidental and consequential charges. There are no express warranties other than those specified herein.

For the nearest Authorized Service Centre call:

East 1-888-881-6667

West 1-800-527-8592

www.dynablast.ca

Introduction

Dear Customer:

You are now the proud owner of a Kodiak generator. Kodiak generators are carefully designed and manufactured to give you *safe, dependable service*. To obtain the best use of your generator, please read and understand this manual as well as the Honda Engine Owner's Manual. Failure to do so could result in personal injury or equipment damage.

Similar to all mechanical products, your machine will occasionally require routine maintenance. This manual and the Honda Engine Owner's manual should be read carefully before operating or performing any adjustments or maintenance on your machine.

This manual as well as the Honda Engine Owner's manual should be considered a permanent part of the generator and should always remain with the unit.

All information contained in this manual reflects the latest product data at the time of publication. Specifications are subject to change without prior notification or obligation.

Features & Specifications

A. Feature of the full range of Kodiak generators

	KD3000VR	KD5500VR(S)	KD7000VR(S)
Honda OHV Engine	●	●	●
Full Frame Protection	●	●	●
Oil Alert	●	●	●
Automatic Idle Control		●	●
Voltage Regulator	●	●	●
Circuit Breaker	●	●	●
Optional Electric Start		●	●

B. Specifications

Model	KD3000VR	KD5500VR/ KD5500VRS	KD7000VR/ KD7000VRS
Generator Type	AVR		
Engine Model	GX160	GX340	GX390
Engine Type	Air-Cooled, 4-cycle, OHV gasoline engine		
Oil Capacity	0.6ℓ(4.22USG)	1.1ℓ(1.16USG)	
Tank Capacity US gal (ℓ)	4.2(16)	6.6(25)	6.6(25)
Operating Hours	12.1	8.5	7.6
AC Output	120V	120/240V	120/240V
Rated Output	2400W	4800W	6000W
Rated Amps	20.0A	40.0/20.0A	50.0/25.0A
Noise level(dB(A)/7m)	75	78	79
Starting System	Recoil	Recoil / Electric Start	
Dimensions (mm)	600 x 469 x 500	690 x 580 x 535	
Dimensions (inches)	23.6 x 18.5 x 19.7	27.2 x 22.8 x 21.1	
Dry Weight lbs. (kg)	101.4 (46.0)	170.7(78.2) / 176.3 (81.2)	178.1 (82.0) / 184.6 (85.0)

Safety Precaution

CAREFUL OPERATION IS YOUR BEST INSURANCE AGAINST ACCIDENTS!

Read carefully and understand this section before operating your generator. All operators, no matter how much experience they have had, should read this and other manuals included with your machine. It is the owner's obligation to instruct all operation in safe operation.



Indicates possibility of personal injury or equipment damage if instructions are not followed.

NOTICE

Indicates that equipment or property damage can result if instructions are not followed.

CAUTION: **Indicates that equipment or property damage can result if instructions are not followed.**



1. Read this manual and the Honda Engine Owner's manual carefully before using your new generator - **KNOW YOUR EQUIPMENT!!!**
2. **DO NOT** operate generator in the rain or with wet hands.
If you ignore this condition, you may suffer severe electric shock.
3. **REFUELING**
 - a. **DO NOT** refuel the generator while it is in operation or still hot.
 - b. **DO NOT** refuel while smoking or near flames, pilot lights, sparking electrical devices, etc. (e. g. power tools, welders, or grinders)
Unit should be refueled in a well lighted and well ventilated area.
 - c. Avoid spillage.
 - d. **DO NOT** operate this generator with any other fuel except gasoline.
4. **DO NOT** operate generator near inflammable products.
5. **DO NOT** operate in areas with poor ventilation where vapors may be trapped. (i .e .inside a room or tunnel)
Engine exhaust gases are dangerous – the exhaust fumes contain carbon monoxide, a poisonous, tasteless, odorless, and invisible gas.
Engine exhaust gases will endanger lives.
6. **DO NOT** connect the unit to a commercial power line.
7. **DO NOT** connect any generators with missing or broken parts.
Contact your dealer for replacement parts.
8. A ground should be used in damp or highly conductive locations.
9. **DO NOT** operate with extensions, power cords or any other electrical equipment, which is damaged or defective. Never operate any electrical equipment with damaged or defective cords.

Safety Precaution

NOTICE

1. Fill Engine with oil. Refer to the Honda Engine Owner's Manual for oil recommendations.
2. This Honda engine has an OIL ALERT system to protect the engine against low oil level. If the engine oil level is low the engine will not start.
3. Do not cover the unit while in operation. It could cause overheating and result in equipment damage.
4. For storage, do not cover unit until the engine has cooled completely.
5. Ambient temperature should not exceed 100°F/40°C.

CAUTION:

1. Operate your unit only on a firm supporting, level surface.
2. Sophisticated electronics (i.e. computers, phone system...etc) Should not be connected to this type of generator.

Before Starting Engine

- ◆ Read and understand the Honda Engine Owner's Manual.
- ◆ **Check and fill engine with the recommended engine oil to the proper level.**
- ◆ Change oil if it becomes dirty or discolored. (Diagram 1) Oil capacity at upper level mark on the Oil dipstick : see Honda engine owner's manual for more information.
- ◆ Remove the tank cap and check the fuel level. If fuel level is low, refill with unleaded automotive gasoline.

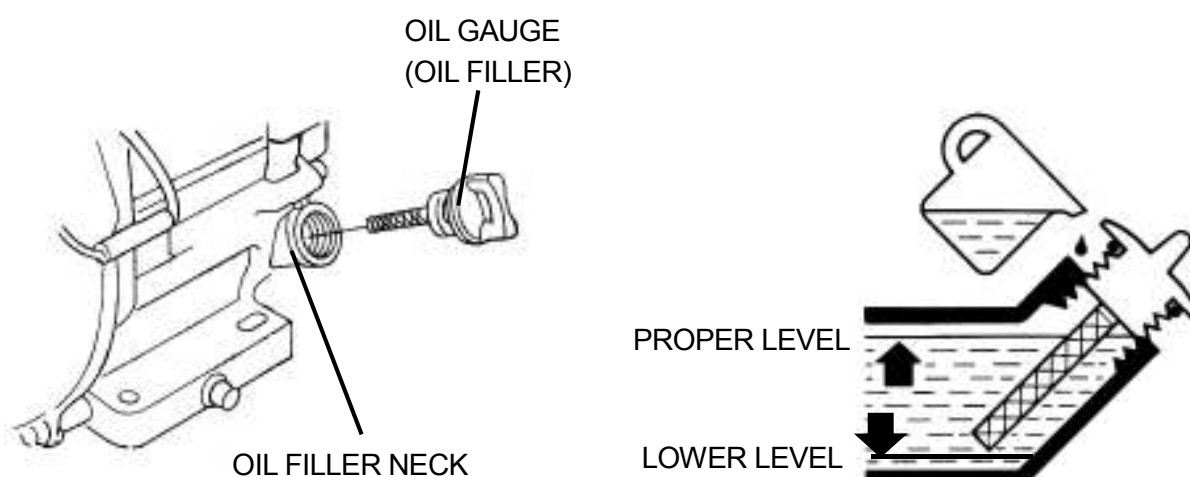


Diagram 1: Inspecting oil capacity

Operation

◆ Starting the engine:

1. Read Honda Engine Owner's Manual.
2. Open fuel valve.
3. Set chock lever towards the "Close" position when engine is cold.
If engine is warm, chock lever should be moved to the "Open" position.
4. Set the engine switch to the "Run" position.
5. Pull on starter rope with a fast steady pull to start the engine. (Diagram 2)
6. After engine has started, move the chock lever back gradually to the "Open" position.
7. Once the engine is running at normal speed, useable AC power is available.

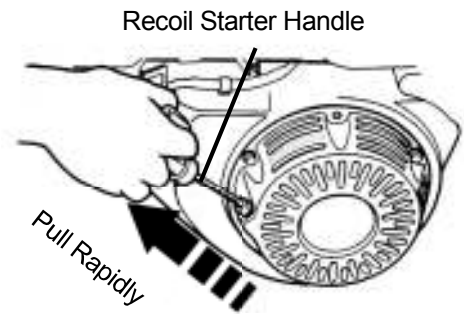


Diagram 2: Starting the engine.

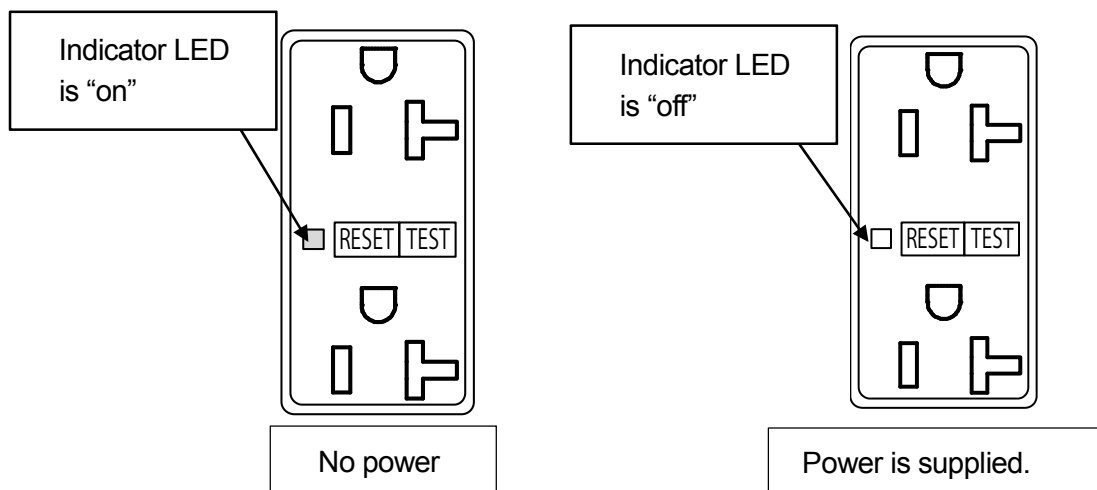
◆ Applying AC load (single voltage type) (Refer to Diagram 3):

1. Place generator's "circuit breaker" switch in the "ON" position.
2. Start engine (Please refer to the Honda Engine Owner's Manual.)
3. Allow the engine to warm up for 2-3 minutes before connecting tools or appliances.
4. Insert the plug of the electrical appliance into the "AC receptacle".
5. Place generator's "circuit breaker switch" in the "ON" position.
6. Reset the GFCI receptacle.

NOTICE

How to use GFCI receptacle

1. When the indicator LED is "on", there will be no Power at the GFCI receptacle.
2. Press the reset button to turn "off" the indicator LED, then power will return.



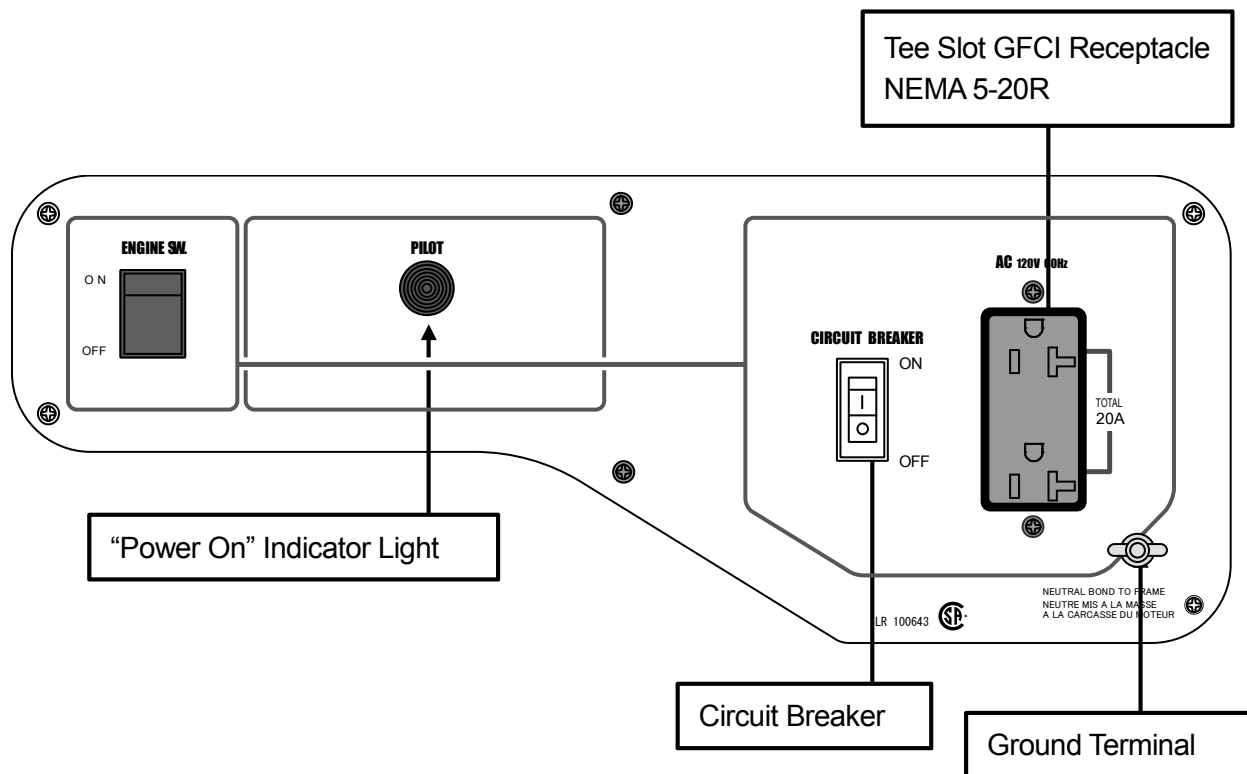


Diagram 3: KD3000VR AC Panel



Be sure to ground the generator if the connected electrical equipment is grounded.

CAUTION: When the generator is overloaded or a short circuit is made, the “circuit breaker” switch will stop the engine to protect the circuit automatically. If the “circuit breaker” switch trips during operation, the generator is either over loaded or the appliance is defective.
Check the appliance and/or generator for overloading or defect, make necessary corrections or repairs before use.

◆ **Dual voltage type (KD5500VR, KD5500VRS, KD7000VR, KD7000VRS) only (Diagram 4 , 5)**

1. Select the voltage using the “select” switch in accordance with the electrical appliance.
Refer to table below

SWITCH	LOWER VOLTAGE RECEPTACLE	HIGHER VOLTAGE RECEPTACLE
120V	RATED OUTPUT IS AVAILABLE	UNAVAILABLE
120V/240V	HALF OF RATED OUTPUT IS AVAILABLE	RATED OUTPUT IS AVAILABLE

2. Place generator’s “Circuit breaker” switch in the “ON” position.
3. Start engine (Please refer to the Honda Engine Owner’s Manual.)
4. Allow the engine to warm up for 2-3 minutes before connecting tools or appliances.
5. Insert the plug of the electrical appliance into the “AC receptacle”.
6. Place generator’s “Circuit breaker switch” in the “ON” position.
7. Reset the GFCI receptacle.

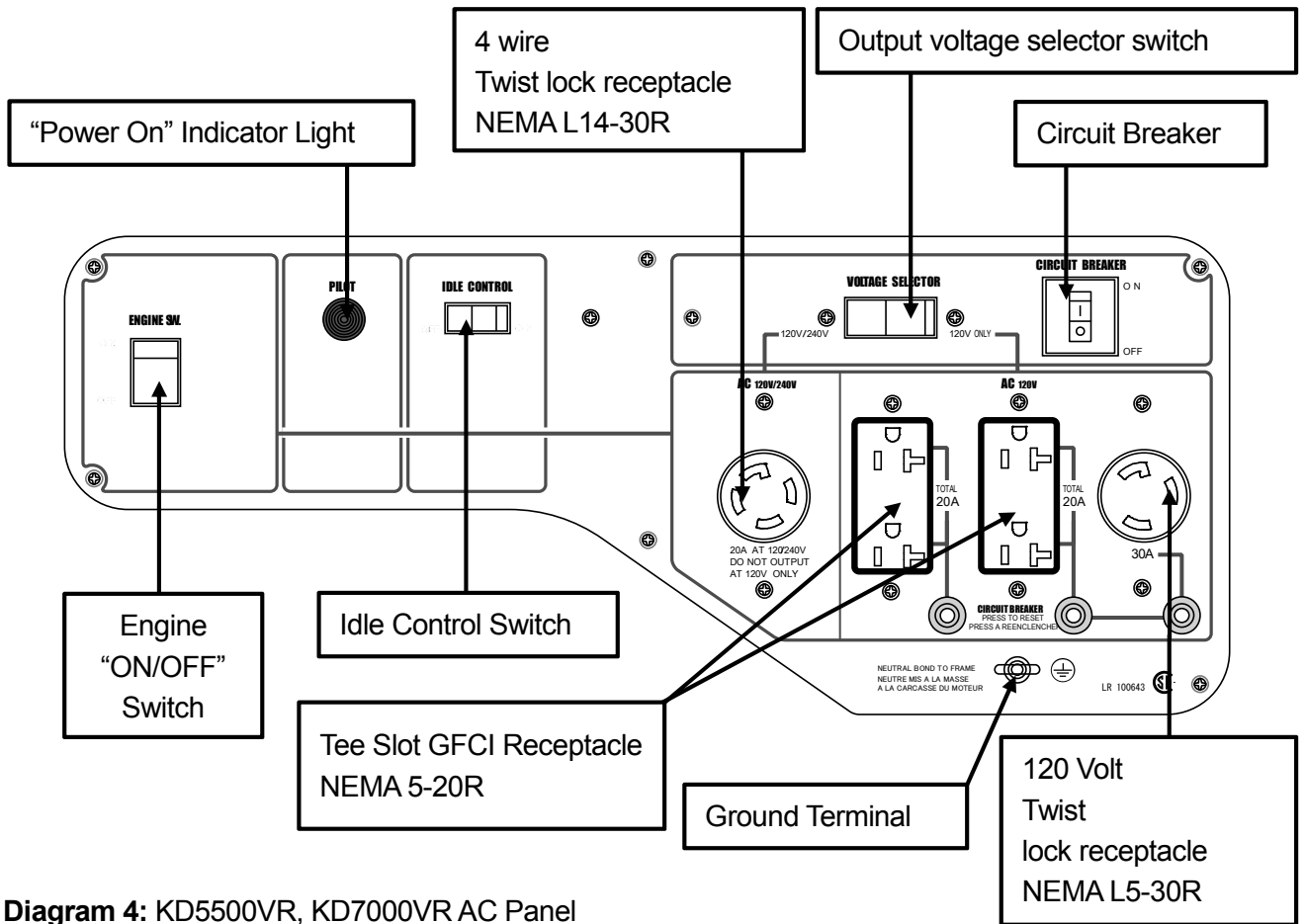


Diagram 4: KD5500VR, KD7000VR AC Panel

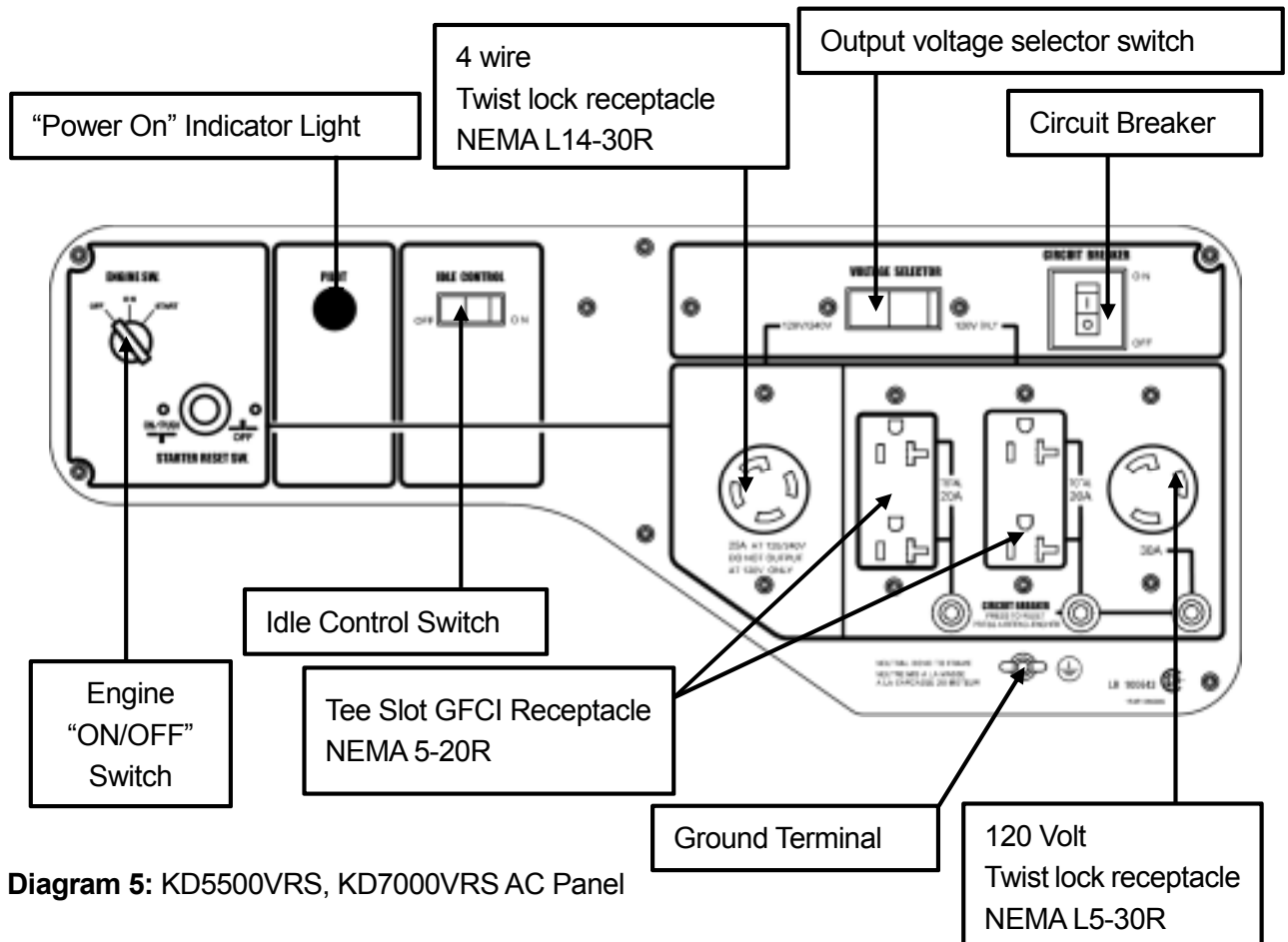


Diagram 5: KD5500VRS, KD7000VRS AC Panel

Stopping Operation

◆ In an emergency

(Please refer to the Honda Owner's manual)

To stop the engine in an emergency, move the engine switch to the "OFF" position.

◆ In normal use:

1. Turn the "circuit breaker" to the "OFF" position.
2. Unplug all appliances.
3. Move the engine switch to the "OFF" position.
4. Turn the fuel valve to the "OFF" position.

NOTICE

Never leave an appliance plugged into the generator when you stop the generator, as damage could result to the generator and/ or appliance.

Maintenance & Storage

◆ Maintenance (Please refer to the Honda Engine Owner's Manual):

Periodic inspection and adjustment of the Honda engine are essential if a high level of performance is to be maintained. Regular maintenance will also ensure a long service life. The required service intervals and kind of maintenance to be performed are described in the Honda Engine Owner's Manual. Please refer to the Honda Engine Owner's Manual for more details.

◆ Transportation / Storage (Please refer to the Honda Engine Owner's Manual)

When transporting the generator, turn the fuel valve OFF and keep the unit level to prevent fuel spillage.

When the generator is in storage for a long period, carry out the following maintenance.

Please refer to the Honda Owner's Manual.

1. Store generator in a well-ventilated, low humidity area.
2. Clean each part with an oil permeated rag.
3. Change the engine oil.
4. Clean the air cleaner.
5. Empty the gasoline from fuel tank.
6. Start and run engine until it runs out of fuel.



Never use water to clean the generator

Wattage information

Some appliance need a "surge" or "in rush" of power at start up. This means that the amount of electrical power needed to start the appliance may exceed the amount needed to maintain its use. Refer to the appliance for its maximum starting power.

Electrical appliances and tools normally come with a label indicating voltage, cycle (Hz), amperage and electrical power needed to run the appliance or tool. If the appliance does not have this information in watts – but does have it in voltage & amperage – simply multiply them together to get the power in watts. (Power in watts= voltage x amperage)

Troubleshooting

The majority of troubles with generator units are with the engine. Please refer to the Honda Engine manual if engine troubles arise.

If a problem persists please contact your local Honda dealer.

◆ Engine:

SYMPTOM	CAUSE	REMEDY
Engine fails to start	Fuel level is low	Refill fuel tank making sure not to overfill
	Oil level is low	Fill oil to proper level
	Fuel strainer valve is closed	Open fuel strainer valve
	Choke lever is not in the proper position	Please move the lever to "close"
	Spark plug loose or dirty	1.If loose, push spark plug cap back into place 2.Remove spark plug and clean electrodes
	Others	See Honda Owner's manual or contact your local Honda Dealer for assistance

◆ Generators:

SYMPTOMS	CAUSE	REMEDY
No Power	Circuit breaker is "0" position	After making sure that the total wattage of the electrical appliance is within permissible limits and there are no defects in the appliance, turn the circuit breaker to the "ON" position
	The GFCI receptacle has tripped or has not been set	Press the reset button in the GFCI receptacle
Voltage is too low	Engine speed is too low	Contact your local Kodiak dealer for assistance

If problems persist, please call the Kodiak toll free hot-line below for the service center nearest you.

Customer Service Hotline:

East 1 - 888 - 881 - 6667

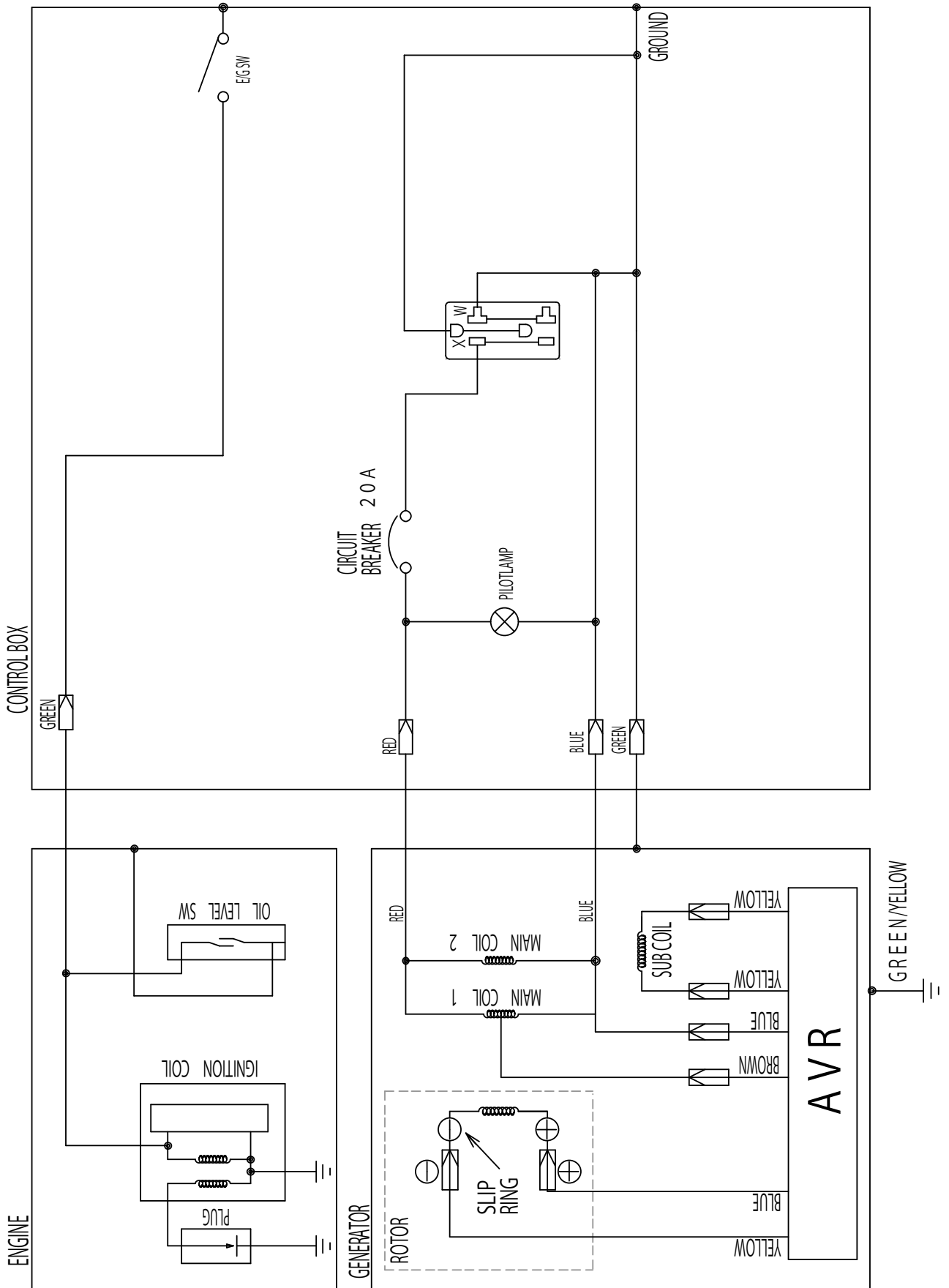
West 1 - 800 - 527 - 8592

Visit our website

www.dynablast.ca

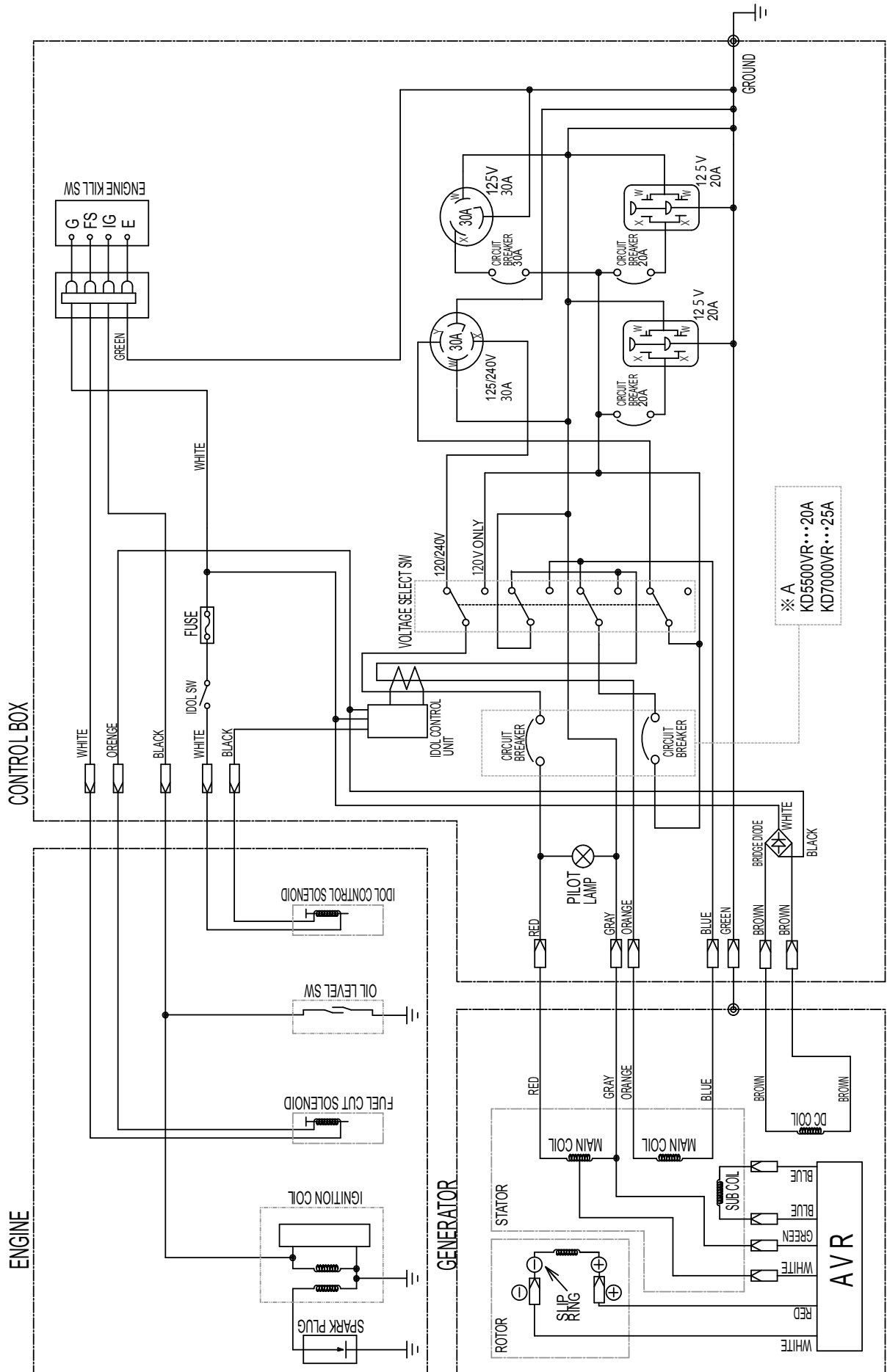
Wiring Diagram

◆ KD3000VR 120V 60Hz



Wiring Diagram

◆ KD5500VR / KD7000VR 120V/240V 60Hz



Wiring Diagram

◆ KD5500VRS / KD7000VRS 120V/240V 60Hz

