

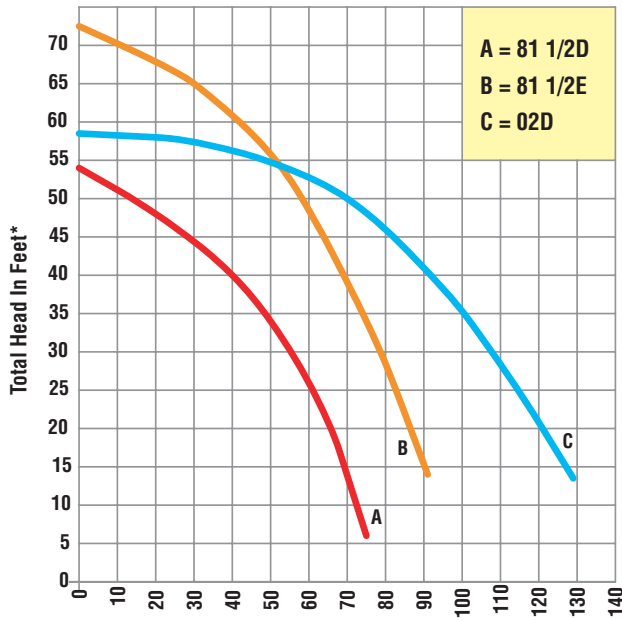
# Self-Priming Centrifugal Pumps Coupled to Explosion Proof Motors



Model  
81 1/2D3-X1-1P

- **Cast Iron Construction**
- **Viton® Seals with Carbon and Ni-resist Faces**
- **1-1/2" & 2" NPT Port Sizes**
- **Self-Priming to 20 Ft.**
- **Maximum Operating Pressure to 31 PSI**
- **Maximum Temperature 160° F**
- **Maximum Flow 128 GPM**
- **Maximum Head 72 Ft.**
- **Solids Handling up to 3/8" Diameter**
- **1/2 to 2 HP Single and Three Phase 3450 RPM Motors**

Performance of Self-Priming Pedestal Pumps



Capacity In US Gallons Per Minute @ 3450 RPM  
\*Convert to PSI, divide by 2.31      Liquid-Water specific gravity 1.0

This line of Gorman-Rupp self-priming centrifugal pumps are coupled to an hazardous duty explosion proof motor. These pumps are designed for use in hazardous environments and/or for handling flammable liquids. 1-1/2" and 2" NPT port sizes available with single or three phase motors. All models are self-priming and are equipped with Viton® seals with carbon and Ni-resist faces capable of handling liquids with temperatures to 160° F. Maximum flow to 128 GPM and maximum operating pressure to 31 PSI.

Exp. Proof Classes: Class 1, Group D, Class 2, Groups E,F,G or FG.

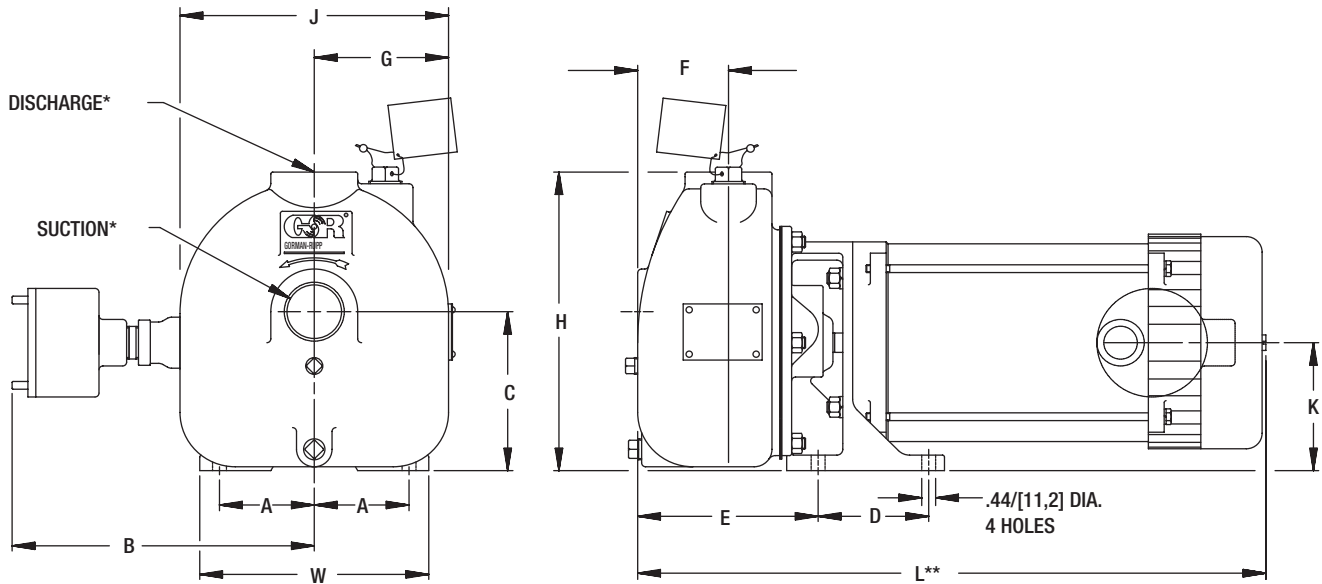


400 Spring Street • Royersford, PA 19468 USA

[www.amtpump.com](http://www.amtpump.com) • 888-amt-pump (268-7867)

For use with nonflammable liquids compatible with pump component materials. Viton® and Teflon® are registered trademarks of E. I. DuPont.

GR SELF-PRIMING CENTRIFUGAL PUMPS COUPLED TO EXPLOSION PROOF MOTORS



Model	Curve	SUC*	DIS*	A	B	C	D	E	F	G	J	K	L**	W	H
81-1/2D3-X1-1P	A	1.5	1.5	3.0 [76.2]	9.5 [242.8]	5.1 [130.0]	3.5 [88.9]	5.7 [145.0]	2.8 [73.2]	4.2 [108.0]	8.5 [215.9]	4.1 [104.9]	20.0 [508.0]	7.0 [177.8]	9.6 [244.6]
81-1/2D3-X1-3P	A	1.5	1.5	3.0 [76.2]	9.5 [242.8]	5.1 [130.0]	3.5 [88.9]	5.7 [145.0]	2.8 [73.2]	4.2 [108.0]	8.5 [215.9]	4.1 [104.9]	20.0 [508.0]	7.0 [177.8]	9.6 [244.6]
81-1/2E3-X1.5-1P	B	1.5	1.5	3.5 [76.2]	9.5 [242.8]	5.1 [130.0]	3.5 [88.9]	5.6 [144.5]	2.8 [73.2]	4.2 [108.0]	8.5 [215.9]	4.1 [104.9]	21.0 [533.4]	7.2 [183.9]	9.6 [244.6]
81-1/2E3-X1.5-3P	B	1.5	1.5	3.5 [76.2]	9.5 [242.8]	5.1 [130.0]	3.5 [88.9]	5.6 [144.5]	2.8 [73.2]	4.2 [108.0]	8.5 [215.9]	4.1 [104.9]	21.0 [533.4]	7.2 [183.9]	9.6 [244.6]
02D3-X2-1P	C	2.0	2.0	2.8 [73.2]	N/A	6.6 [168.1]	3.5 [88.9]	5.8 [147.6]	2.8 [73.2]	4.8 [123.9]	9.7 [247.6]	5.3 [136.6]	21.0 [533.4]	7.0 [177.8]	10.8 [276.4]
02D3-X2-3P	C	2.0	2.0	2.8 [73.2]	N/A	6.6 [168.1]	3.5 [88.9]	5.8 [147.6]	2.8 [73.2]	4.8 [123.9]	9.7 [247.6]	5.3 [136.6]	21.0 [533.4]	7.0 [177.8]	10.8 [276.4]

(\*) Standard NPT pipe thread.  
 (\*\*) This dimension may vary due to motor manufacturer's specifications.  
 NOTE: Dimensions are in inches (centimeters) and have a tolerance of ± 1/8".

Model	Driver Type & HP	NPT Port Size (SUC x DIS)	Basic Construction	Seal Type & Elastomer/Faces	VAC	Cycle	Motor Enclosure	Ship Wt. (Lbs.)
81-1/2D3-X1-1P	Elect. Motor 1 HP	1-1/2" x 1-1/2"	Gray Iron	Viton® Carbon Ni-resist	115/230	60 Cycle	X-Proof	89
81-1/2D3-X1-3P	Elect. Motor 1 HP	1-1/2" x 1-1/2"	Gray Iron	Viton® Carbon Ni-resist	208-230/460	60 Cycle	X-Proof	89
81-1/2E3-X1.5-1P	Elect. Motor 1.5 HP	1-1/2" x 1-1/2"	Gray Iron	Viton® Carbon Ni-resist	115/230	60 Cycle	X-Proof	76
81-1/2E3-X1.5-3P	Elect. Motor 1.5 HP	1-1/2" x 1-1/2"	Gray Iron	Viton® Carbon Ni-resist	230/460	60 Cycle	X-Proof	76
02D3-X2-1P	Elect. Motor 2 HP	2" x 2"	Gray Iron	Viton® Carbon Ni-resist	115/230	60 Cycle	X-Proof	101
02D3-X2-3P	Elect. Motor 2 HP	2" x 2"	Gray Iron	Viton® Carbon Ni-resist	230/460	60 Cycle	X-Proof	101

## Standard Features

- Cast Iron Construction
- Viton® Seals with Carbon and Ni-resist Faces
- 1-1/2" & 2" NPT Port Sizes
- Maximum Operating Pressure to 31 PSI
- Maximum Temperature 160° F
- Maximum Flow 128 GPM
- Maximum Head 72 ft.
- Solids Handling to 3/8" Diameter
- Self-priming to 20 ft.
- Single to Three Phase 3450 RPM Motors